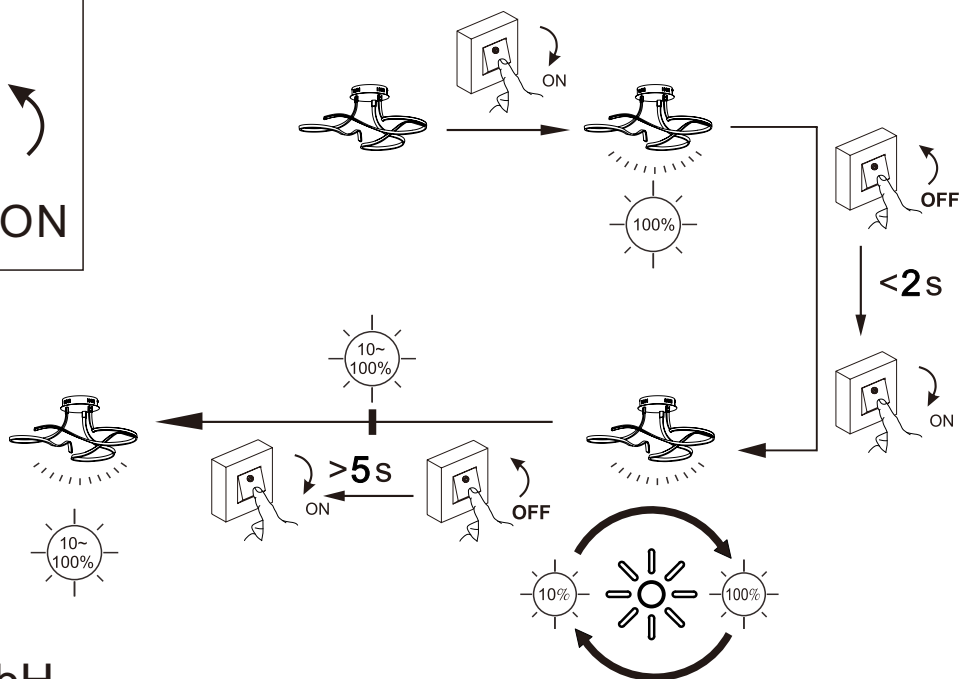
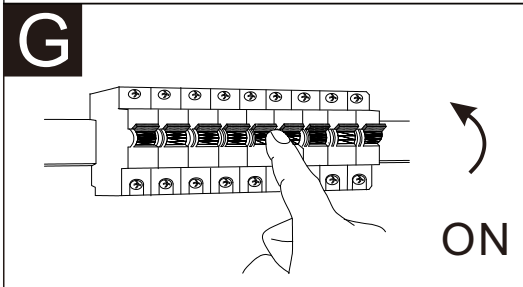
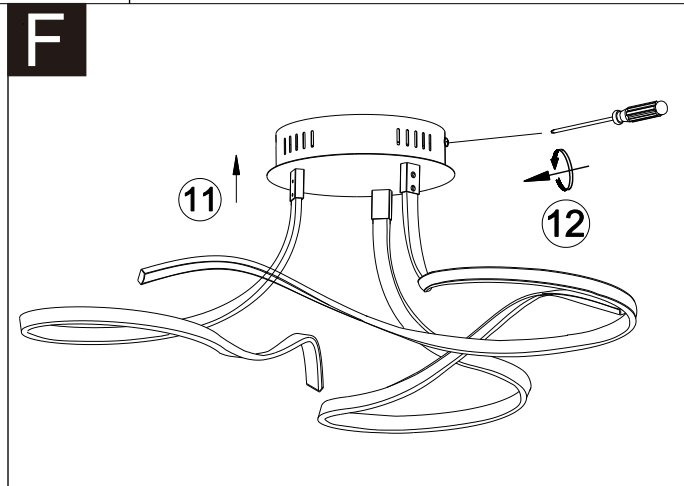
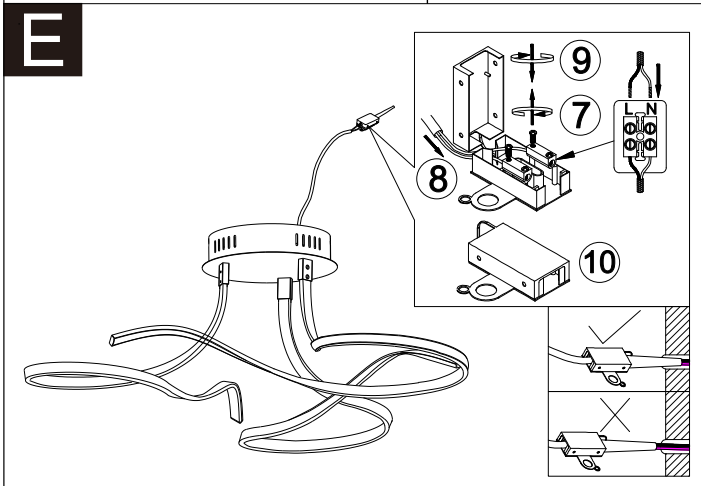
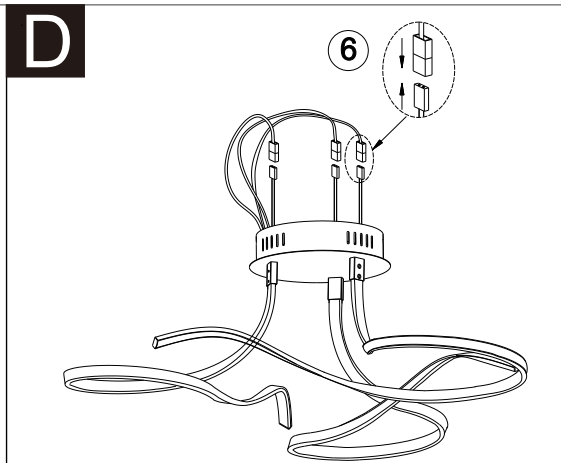
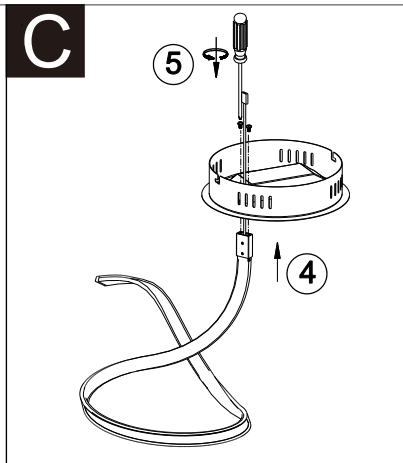
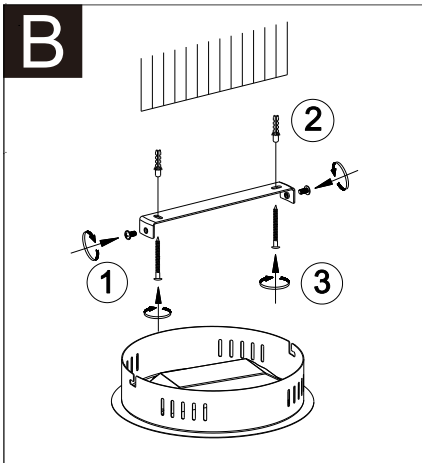


# GLOBO

LIGHTING

[www.globo-lighting.com](http://www.globo-lighting.com)

67090 67090S 67090G



GLOBO Handels GmbH  
 Gewerbestr. 3  
 A-9184 Sankt Peter